



Datasheet
SOLID CORE CURRENT TRANSDUCER
CX-VFD Series



Precision Power control/sensing

FEATURES:

- Solid Core
- 4-20 mA Output
- Selectable or Fixed Range Models
- Up to 200 amps Input Current

MANUFACTURED BY AN ISO 9001 REGISTERED QUALITY SYSTEM KELE INC. PARTNER

AC CURRENT TRANSDUCERS CX-VFD Series

DESCRIPTION:

The CX-VFD Series current transducers monitor line current for electrical loads such as pumps, conveyors, machine tools, or fans and output an analog signal to represent the load current. The CX-VFD Series is loop-powered and requires 15 to 30 VDC to power the device

The CX-VFD series features True RMS current measurement suitable to measure complex waveforms such as those found in VFD controlled loads. They are also suitable for accurate measurement of phase angled controlled or time proportional SCR controlled load currents. The CX-VFD Series contain a precision RMS-to-DC converter circuit which will measure load current accurately for complex, distorted or noisy waveforms as opposed to "average reading" devices that will only accurately measure pure sine waveforms.

SPECIFICATION:

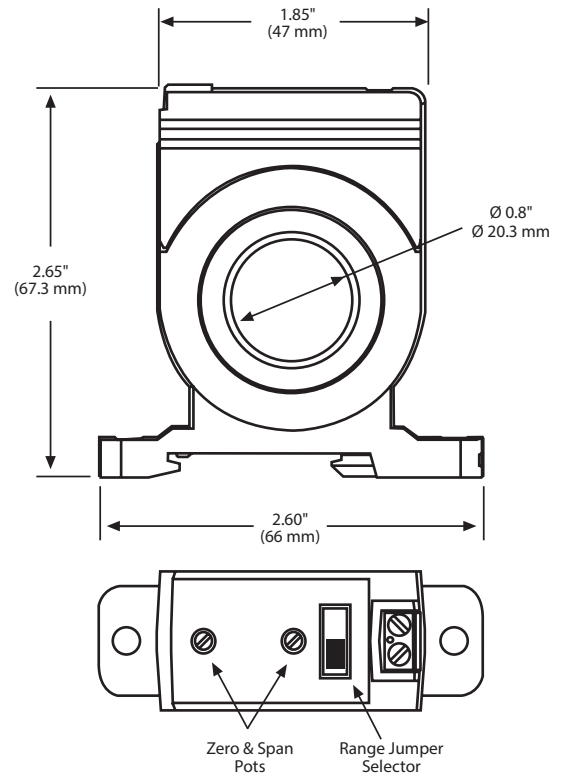
Measurement Range:.....	See Ordering Information below
Maximum Input Current:.....	See Ordering Information below
Accuracy:.....	± 2% FSO (5-100% of range)
Signal Output:.....	4-20 mA
Sensor Power:.....	15 to 30 VDC (Loop-powered)
Insulation Class:.....	600 VAC, insulated conductors
Frequency:.....	20-400 Hz
Response Time:.....	500 mS Typical, 0-90%
Output Load:.....	250 Ω typical
Maximum Load:.....	>600 Ω Max. @ 24 VDC
Operating Temperature:.....	5° to 122°F (-15° to 50°C)
Operating Humidity:.....	5 to 90% RH non-condensing
Terminal Block:.....	14 to 22 AWG
Dimensions:.....	2.6 x 2.65 x 0.98 in (66 x 67.3 x 24.9 mm)
Sensor Aperture:.....	0.8 in (20.3 mm)
Enclosure Material:.....	ABS/PC, UL94 V-0
Agency Approvals:.....	cULus Listed

FEATURES:

- True RMS for complex waves
- Input / Output isolation via current transformer
- Solid-state reliability
- Small compact size
- Solid, reliable mounting method

PRODUCT ORDERING INFORMATION

MODEL	SENSING RANGE	MAXIMUM INPUT CURRENT	SIGNAL OUTPUT
CX42002-VFD	0-2 Amps	10 Amps Continuous	4-20 mA
CX42005-VFD	0-5 Amps	15 Amps Continuous	4-20 mA
CX42050-VFD	0-10/20/50 Amps - Jumper Selectable	100 Amps Continuous	4-20 mA
CX420150-VFD	0-50/100/150 Amps - Jumper Selectable	150 Amps Continuous	4-20 mA
CX420200-VFD	0-200 Amps	200 Amps Continuous	4-20 mA



NOTE: The range switch/jumper is not applicable for models with 1 fixed range.



Kele Inc.
3300 Brother Boulevard
Bartlett, TN 38133
info@kele.com
kele.com

USA: 888-397-5353
FAX: 800-284-5353
International: 901-382-6084
International FAX: 901-388-1697

